
CHEMICAL SEAL GAUGE with WELDED SEAL



Optional extras

Perspex window
Liquid filling
Customer logo
Flanges
Electrical contacts
Remote type with St St capillary, flush panel
or surface mounting

Specifications

Case & Bezel

304 St. St with Bayonet locking bezel weatherproof
construction

Connection & Element

AISI 316 Stainless Steel

Movement

Stainless Steel

Dial

White Aluminium with black markings

Pointer

Black Oxidised Aluminium

Window

Glass

Accuracy

1.5%

This instrument can be fitted with a variety of flanges or
threads, different applications require different solutions,
please contact us for advice.

Ordering information

State:- Pressure gauge model / Nominal
size / Scale range / Size of connection /
Optional extras required

Example

14WT10/100mm/0-10bar/1/2"bsp

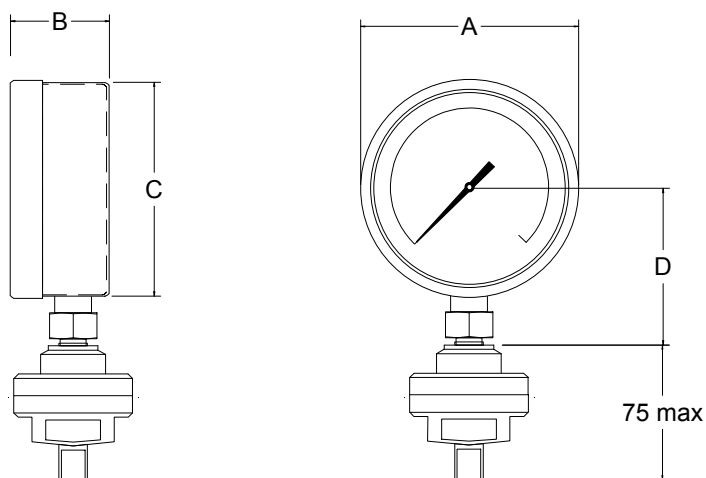
100mm (4")

Stainless Steel Case / Stainless Steel wetted
parts, 0-10bar, with 1/2"bsp male connection.

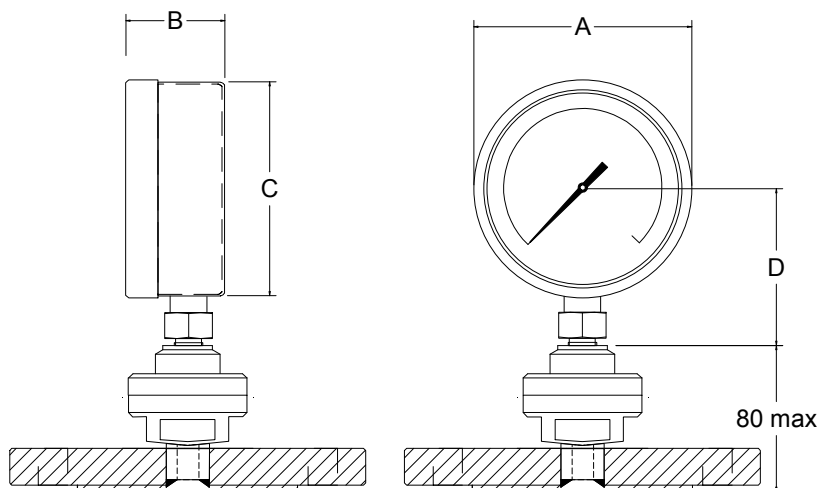
Manufactured by

T. J. Williams Ltd
Wimborne Road, Barry, Vale of Glamorgan CF63 3DH
Tel. 01446 729200 Fax. 01446 739281

CHEMICAL SEAL GAUGE with WELDED SEAL



Model 14WT10



Model 14WF10

Dial Size	A	B	C	D
100mm	112	48.5	99	72
160mm	162	48.5	148	90

Manufactured by

T. J. Williams Ltd

Wimborne Road, Barry, Vale of Glamorgan CF63 3DH

Tel. 01446 729200 Fax. 01446 739281